

22 815 892



- 235mm projection
- pivotable spout 360°
- air-enriched flow
- height of mixer 378 mm
- height up to aerator 220 mm
- hole diameter 35 mm
- max. flow 7 l/min at 3 bar flow pressure
- lead-free
- This product can help a building meet the requirements of Green Building Rating Systems, e.g. LEED®, BREEAM®, DGNB

	Brushed Chrome	22 815 892-93
	Chrome	22 815 892-00
	Brushed Platinum	22 815 892-06
	Platinum	22 815 892-08
	Durabronze (23kt Gold)	22 815 892-09
	Dark Chrome	22 815 892-19
	Brushed Durabronze (23kt Gold)	22 815 892-28
	Matte Black	22 815 892-33
	Brushed Champagne (22kt Gold)	22 815 892-46
	Champagne (22kt Gold)	22 815 892-47
	Brushed Dark Platinum	22 815 892-99

**Recommended miscellaneous**

**Strainer waste with control handle - Brushed Chrome** 10 710 970-93



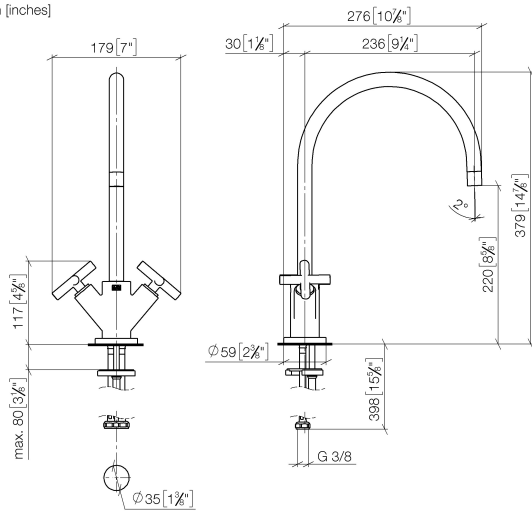
**Recommended miscellaneous**

**Dispenser with rosette - Brushed Chrome** 82 444 970-93



22 815 892

mm [inches]



Flow rate chart

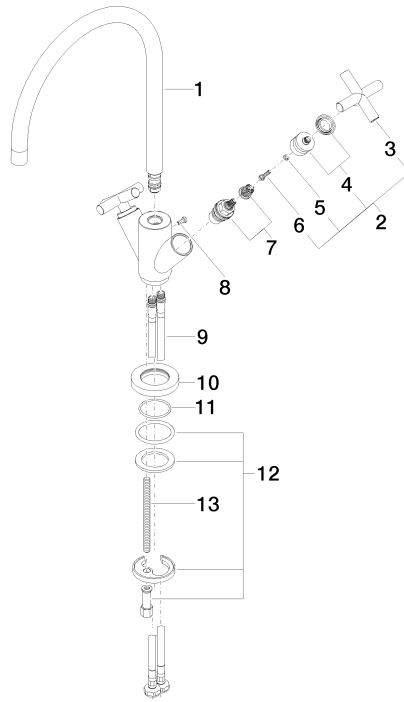


Certificates

GDV\_0400194.

22 815 892

Parts for other finishes can be found here: [Chrome](#)



### Spare parts list

No.	Item Number	Name	Quantity used	Delivery time
1	90 28 22 226 01-93	spout	1	20
2	90 20 89 010 10-93	handle	2	20
3	09 20 89 010-93	handle	2	60
4	90 12 12 007 00-93	base	2	20
5	90 30 11 029 00 90	disc	2	2
6	90 30 30 075 00 90	screw	2	2
7	90 90 03 151 00 90	top	2	2
8	09 30 30 054 90	screw	1	2
9	04 30 04 104 00 90	hose	2	2
10	09 28 10 132-93	ring	1	20
11	09 14 10 134 90	seal	1	2
12	04 30 11 038 00 90	fixing set	1	2
13	09 31 11 012 90	pin	1	2